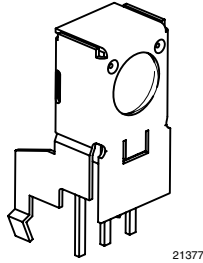
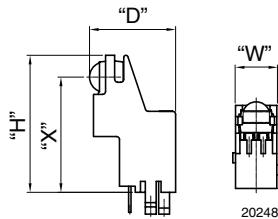


IR Receiver Modules for Remote Control Systems



21377



20248

FEATURES

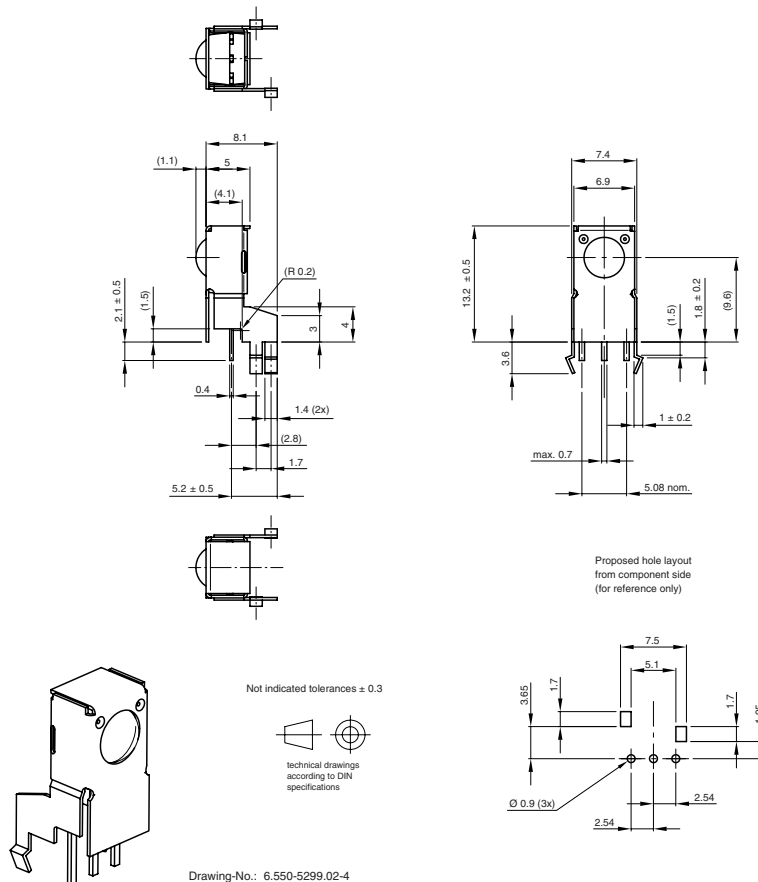
- Compliant to RoHS directive 2002/95/EC and in accordance to WEEE 2002/96/EC


AVAILABLE FOR:

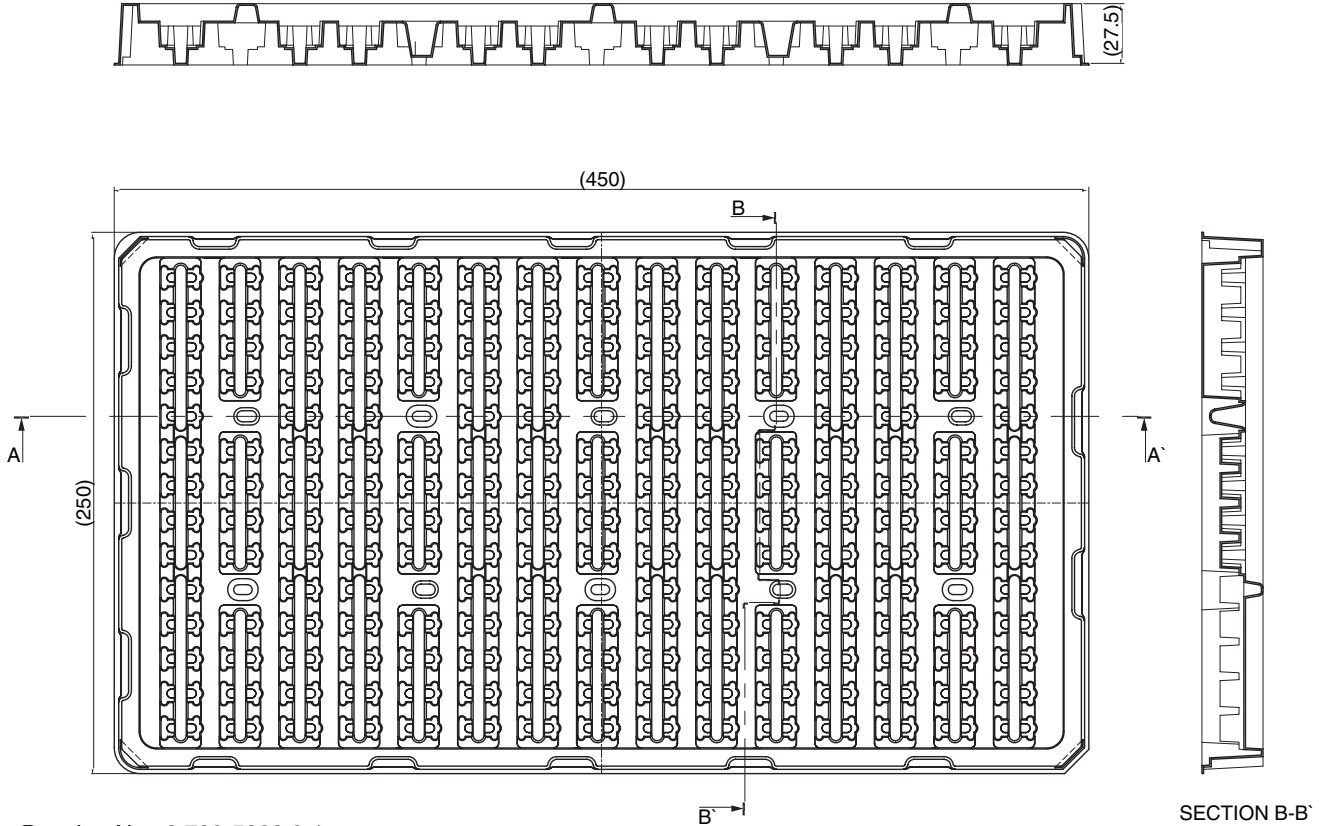
- TSOP34...
- TSOP4....
- TSOP32...
- TSOP2....


RoHS
COMPLIANT

NAME	LENS AXIS (X)	VIEW	TYPE	HEIGHT (H)	WIDTH (W)	DEPTH (D)
JL1	9.6	Side	Holder	13.2	7.4	9.2

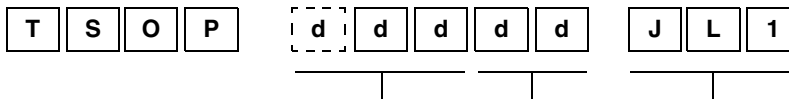
MECHANICAL DIMENSIONS in millimeters


PACKAGING DIMENSIONS in millimeters



Drawing-No.: 9.700-5229.0-1
 Rev. 2; Date: 07.07.03
 20274-1

ORDERING INFORMATION



2 or 3 digit product series 2 digit frequency Holder type

Note

d = "digit", please consult the list of available series on the previous page to create a valid part number.

Example: TSOP32238JL1

PACKING QUANTITY

- 200 pieces per tray
- 3 trays per carton